

## Section 2.0 SPECIFICATIONS

Refer to Tables 2.1 through 2.4 and Figures 2.1 through 2.4 for unit dimensions, capacities, and performance ratings for the Model 6620DT.

**Table 2.1: 6620DT weight, ground pressure, ground speed, and dimensions.**

<b>Dimensions</b>		
Unit Weight	6,1000 lb.	2767 kg
Surface Load	3.7 lb/in. <sup>2</sup>	0.26 kg/cm <sup>2</sup>
Ground Speed	0 to 4.5 mph	0 to 7.2 km/h
Transport Height	89 in.	2261 mm
Transport Width	60 in.	1524 mm
Transport Length	96 in.	2438 mm
Working Height (maximum)	153 in.	3886 mm

**Table 2.2: Engine specifications.**

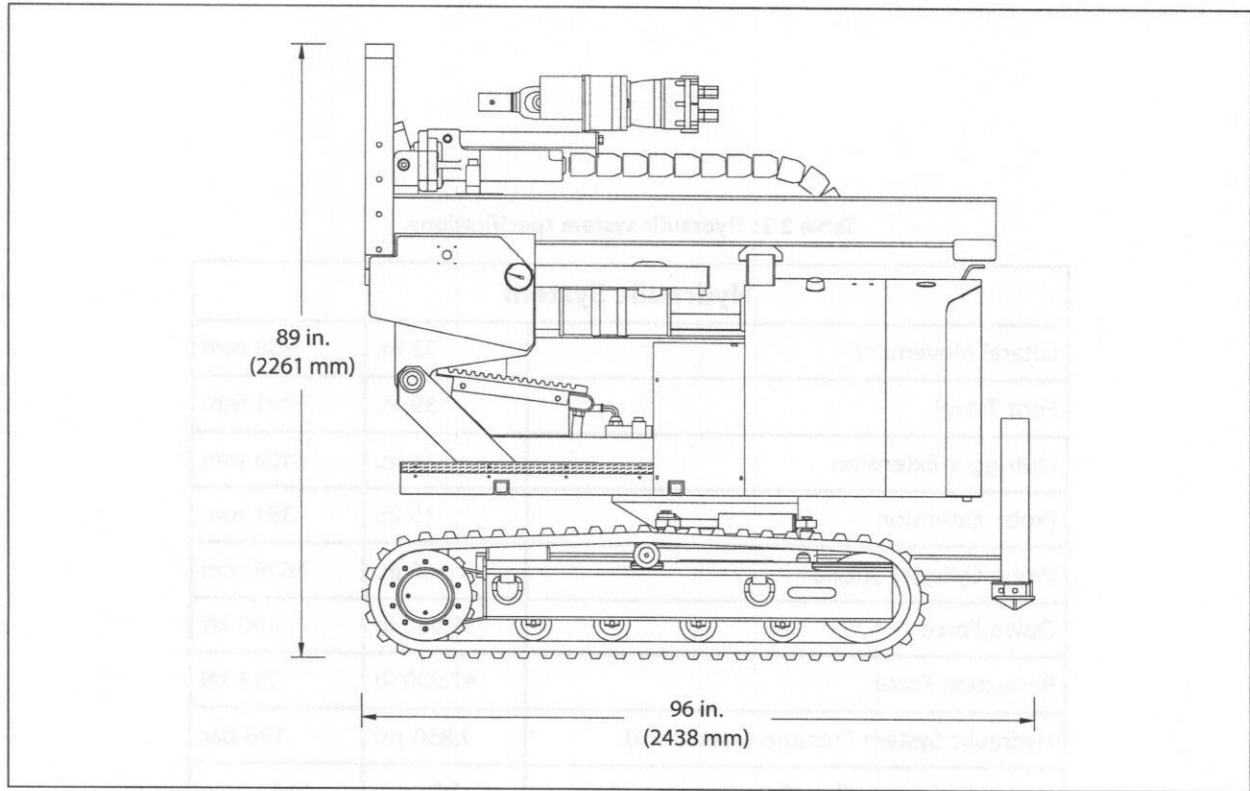
<b>Engine</b>		
Engine Type	Kubota 4-cylinder Turbo Diesel	
Engine Horsepower	49 hp @ 2800 rpm (net continuous)	
Cooling System	Liquid	
Coolant Capacity	2.2 gal.	8.2 L
Fuel Capacity (diesel)	15 gal.	57 L
Oil Capacity	2.1 gal. (8.4 qts.)	7.9 L

**Table 2.3: Hydraulic system specifications.**

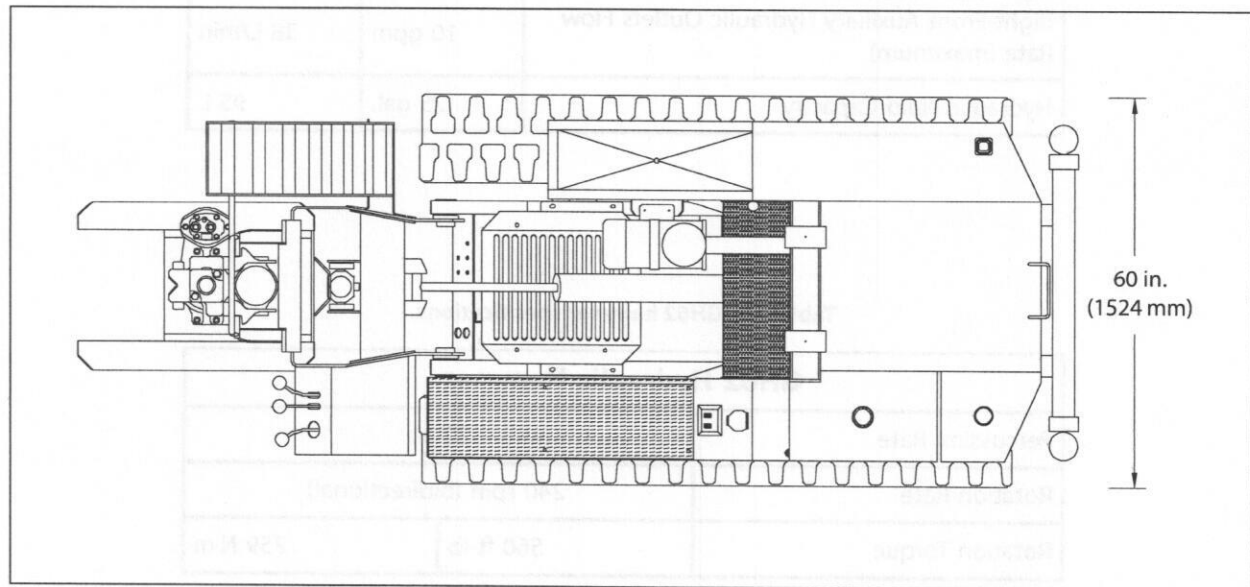
<b>Hydraulic System</b>		
Lateral Movement	33 in.	838 mm
Foot Travel	39 in.	991 mm
Outrigger Extension	16 in.	406 mm
Probe Extension	15 in.	381 mm
Probe Cylinder Stroke	66 in.	1676 mm
Down Force	35,000 lb	160 kN
Retraction Force	47,000 lb	214 kN
Hydraulic System Pressure (maximum)	2,850 psi	196 bar
Hydraulic System Flow Rate (maximum)	30 gpm	114 L/min
Left-Front or Rear Auxiliary Hydraulic Outlets Flow Rate (maximum)	20 gpm	76 L/min
Right-Front Auxiliary Hydraulic Outlets Flow Rate (maximum)	10 gpm	38 L/min
Hydraulic Fluid Capacity	25 gal.	95 L

**Table 2.4: GH62 hammer specifications.**

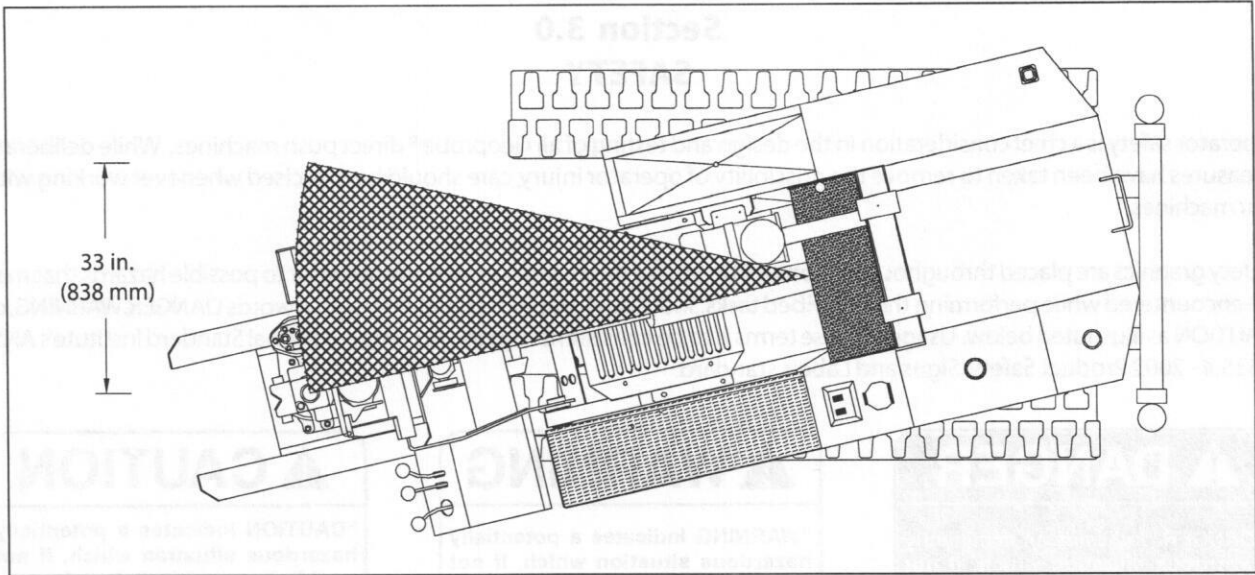
<b>GH62 Hydraulic Hammer</b>		
Percussion Rate	32 Hz	
Rotation Rate	240 rpm (bidirectional)	
Rotation Torque	560 ft-lb	759 N·m



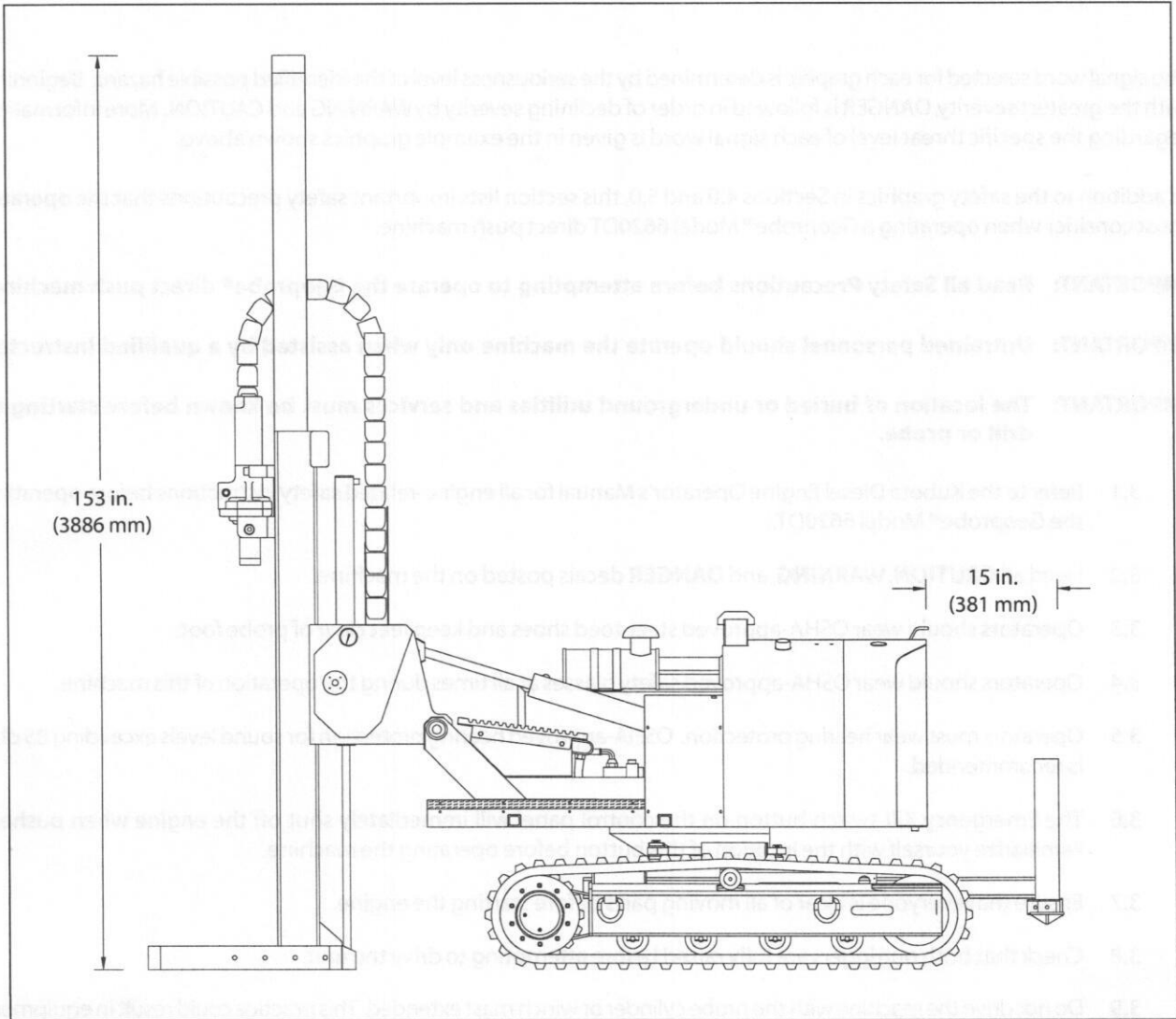
**Figure 2.1: Geoprobe® Model 6620DT -- Probe derrick folded for transport, side view.**



**Figure 2.2: Geoprobe® Model 6620DT -- Probe derrick unfolded, top view.**



**Figure 2.3: Geoprobe® Model 6620DT -- Probe derrick unfolded, top view, approximate swing range highlighted.**



**Figure 2.4. Geoprobe® Model 6620DT -- Probe derrick unfolded, fully raised and extended, side view.**